



# 30308

- Popular item  
- SKF Explorer

## Tapered roller bearings, single row

### Bearing data

[Tolerances,](#)

Normal and CL7C, CLN, Normal and CL, deviating width

### Bearing interfaces

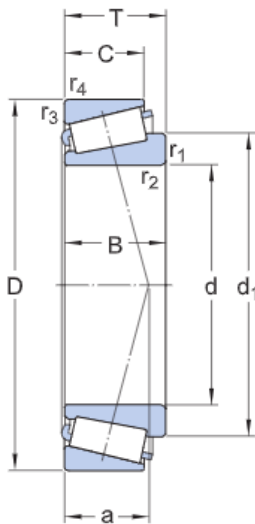
[Seat tolerances for standard conditions,](#)

[Tolerances and resultant fit](#)

## Technical specification

Dimension series

2FB

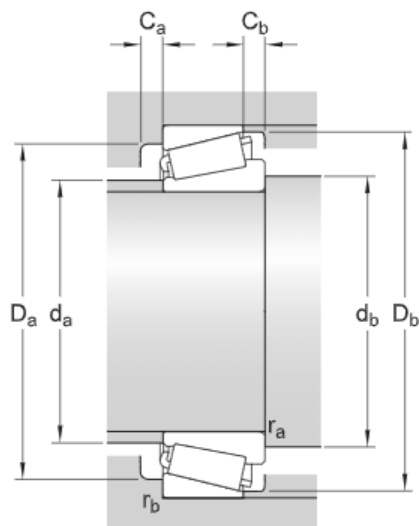


### DIMENSIONS

|      |            |                              |
|------|------------|------------------------------|
| d    | 40 mm      | Bore diameter                |
| D    | 90 mm      | Outside diameter             |
| T    | 25.25 mm   | Total bearing width          |
| d1   | ≈62.55 mm  | Inner ring shoulder diameter |
| B    | 23 mm      | Width inner ring             |
| C    | 20 mm      | Width outer ring             |
| r1,2 | min.2 mm   | Corner radius inner ring     |
| r3,4 | min.1.5 mm | Corner radius outer ring     |
| a    | 19.031 mm  | Distance pressure point      |

### ABUTMENT DIMENSIONS

|    |           |                         |
|----|-----------|-------------------------|
| da | max.53 mm | Abutment diameter shaft |
|    | min.49.5  | Abutment                |



|    |               |                                                                                     |
|----|---------------|-------------------------------------------------------------------------------------|
| db | mm            | diameter shaft                                                                      |
| Da | min.77<br>mm  | Abutment diameter housing                                                           |
| Da | max.82<br>mm  | Abutment diameter housing                                                           |
| Db | min.82<br>mm  | Abutment diameter housing                                                           |
| Ca | min.3<br>mm   | Abutment housing - axial space at the large side face/ both sides of the outer ring |
| Cb | min.5<br>mm   | Abutment housing - axial space at the small side face/ both sides of the outer ring |
| ra | max.2<br>mm   | Fillet radius                                                                       |
| rb | max.1.5<br>mm | Fillet radius                                                                       |

CALCULATION DATA

|                           |                |             |
|---------------------------|----------------|-------------|
| Basic dynamic load rating | C              | 106 kN      |
| Basic static load rating  | C <sub>0</sub> | 95 kN       |
| Fatigue load limit        | P <sub>u</sub> | 10.8 kN     |
| Reference speed           |                | 6 300 r/min |
| Limiting speed            |                | 8 000 r/min |
| Calculation factor        | e              | 0.35        |
| Calculation factor        | Y              | 1.7         |
| Calculation factor        | Y <sub>0</sub> | 0.9         |

MASS

|              |         |
|--------------|---------|
| Mass bearing | 0.73 kg |
|--------------|---------|